
Product Specification Model Code. & Mechanical Connection

Product Specification

- ◆ **Voltage supply:**
 - 3-phase AC, 220-560V \pm 10%, 50/60Hz \pm 15%;
 - 1-phase AC, 110-250V \pm 10%, 50/60Hz \pm 5%;
- ◆ **Duty model:**
 - On-off (MOE series,) a complete stroke, S2-15 min;
 - Modulating (MME series), separate strokes, S4-25%, Number of starts \leq 1200/h
- ◆ **Motor control:** Variable frequency control technology
- ◆ **Strokes range:** more than 1 circle for Multi-turn.
- ◆ **Tripping torque :** 40% to 100% adjustable, step 5%
- ◆ **Output Speed:** 40% to 100% adjustable, step 5%

Accuracy:

- Multi-turn (stroke \geq 1 circle) $\leq \pm 0.5\%$
- Part-turn $\leq \pm 0.5\%$
- Linear (stroke \geq 25mm) $\leq \pm 0.5\%$
- ◆ **Dead zone:** 1% (0.5 to 10% adjustable)
- ◆ **Enclosure protection:** IP67 (IP68 optional)
- ◆ **Explosion proof:** up to ExdIICT4
- ◆ **Ambient conditions:**
 - Temperature: On-off duty, MOE series, -25 °C to +70 °C
 - Modulating duty, MME series, -25 °C to +60 °C
 - Split type, MME series, -40 °C to +85 °C
- ◆ **Humidity:** $\leq 95\%$
- ◆ **Air media:** without corrosive, flammable or explosive gas
- ◆ **Multi-stage Speed Control**
 - Max. 4 stages speed control for a whole valve stroke (optional)

MOE Series Actuator Data sheet

MOE (On-off duty) Actuators Data Sheet

Actuator Type	Mechanical Output		Speed n [1/min]	Self Locking	Stroke with- out spindle cover [mm]	Flange size ISO 5210	P max . [kw]	I oper . = I max [A]	External fuse	Weight Standard. [kg]
	Switch-Off torque M [Nm]									
	~3 380VAC 50Hz	~220VAC 50Hz								
MOE706S	6 - 15	4.8-12	72 - 180	○	190mm	F10	1.0	3.5	3 x 16 A slow	20.5
MOE706R	10 - 25	8-20	36.8 - 92	●			1.0	3.5		
MOE706M	20 - 50	16-40	14 - 35	●			0.48	1.8		
MOE708S	12 - 30	9.6-24	72 - 180	○			1.0	3.5		
MOE708R	20 - 50	16-40	36.8 - 92	●			1.0	3.5		
MOE708M	32 - 80	25.6-64	14 - 35	●			0.48	1.8		
MOE712S	32 - 80	19.2-48	72 - 180	○			1.76	4.8		
MOE712R	40 - 100	24-60	36.8 - 92	●			1.76	4.8		
MOE712M	60 - 150	36-90	14 - 35	●			0.85	2.9		
MOE725S	50 - 125	25-62.5	72 - 180	○			3.52	8.0		
MOE725R	80 - 200	40-100	36.8 - 92	●	3.52	8.0	32			
MOE725M	120 - 300	60-150	14 - 35	●	1.71	4.75				
MOE750R	120 - 300	-	18 - 92	●	4.1	12				
MOE750P	160 - 400	-	14 - 72	●	4.1	12	36			
MOE790R	200 - 500	-	18 - 92	●	7.5	15				
MOE790P	320 - 800	-	26.4 - 66	●	7.5	15	3 x 20 A slow	63		
MOE790RL	280 - 700	-	18 - 92	●	9.5	21				
MOE790PL	400 - 1000	-	26.4 - 66	●	9.5	21				
						F16			3 x 25 A slow	70

Note: For others voltage power please contact factory.

MME Series Actuator Data sheet

MME (Modulating duty) Actuators Data Sheet											
Actuator Type	Max. modulating torque Md [Nm]		Mechanical Output		Speed n [1/min]	Stroke with-out spindle cover[mm]	Flange size (ISO 5210)	P max [kw]	I oper . = I max [A]	External fuse	Weight Standard [kg]
			Switch-Off torque M [Nm]								
	~3 380VAC 50Hz	~220VAC 50Hz	~3 380VAC 50Hz	~220VAC 50Hz							
MME 806	25	20	20 - 50	16-40	14 - 35	190mm	F10	0.48	1.8	3 x 16 A slow	20.5
MME 808	40	32	32 - 80	25.6-64	14 - 35		F10	0.48	1.8		20.5
MME 812	75	45	60 - 150	36-90	14 - 35		F10	0.85	2.9		22
MME 825	150	75	120 - 300	60-150	14 - 35		F14	1.71	4.75		32
MME 850	300	-	240 - 600	-	14 - 35		F14	2.72	7.6		37
MME 890	600	-	480 - 1200	-	12.8 - 32		F16	6.7	11		63

Note: For others voltage power please contact factory.

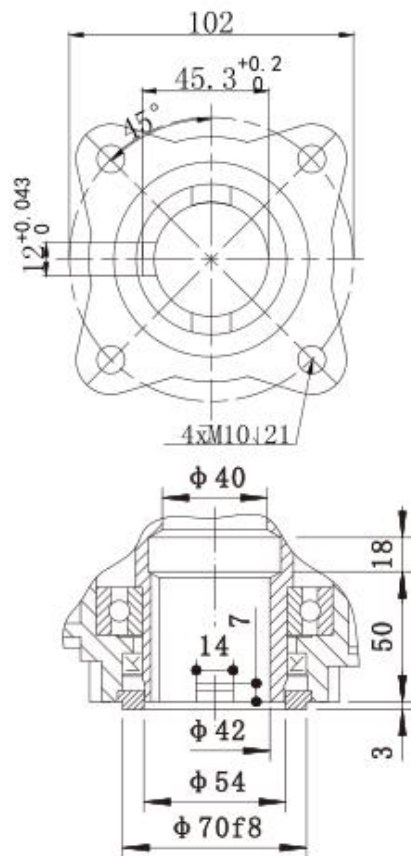
Actuator Code

Model e.g.: MME808+387+389+ECB 380V

Order No.:	MOE7xx/MME8xx	+	xxx	+	xxx	+	xxx	+	xx	+	xxx	+	xxx	xxxV
Actuator basic model														
	MOM700/ME800 series													
Expansion board														
Hart communication														384
0/4-20 mA feedback/ +4 signal contacts (BA5-BA8)														385
Profibus DP/V2														386A
Set point input 4 20mA; position output 0/4 20mA , + 3 signal contacts (BA5 - BA7)														387
MODBUS														388
Large capacity relay 220V AC/8A														
4 digital contact outputs 220V AC/8A														389
Protection Class														
IP 68 (standard IP 67)														668
Explosion proof														
Ex dII CT4/ BT4														Ex
Space Heater														
Electrical anti-condensation heater														360
Split type														
Electronic control box, Max. wiring length 10m														ECB
Power														
3PH 380Vac 50Hz														380V
Single PH 220Vac 50Hz														220V
Others														xxx

Actuator Mechanical Output

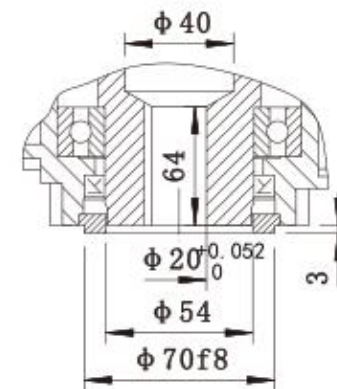
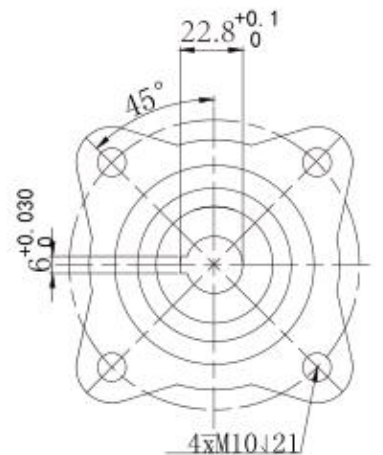
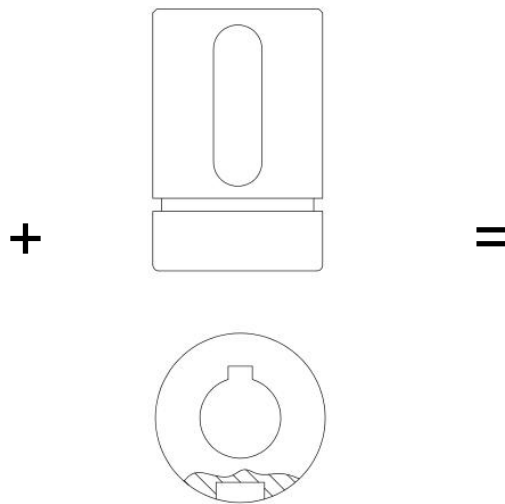
ISO5210 F10 output actuator



Flange F10
Form B1 connection

MOE706/708/712

MME806/808/812



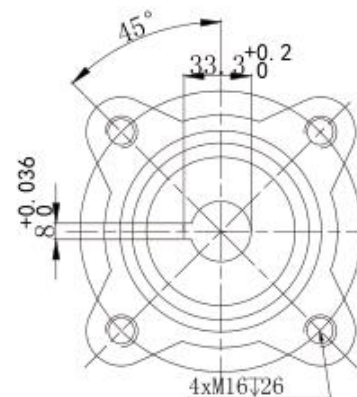
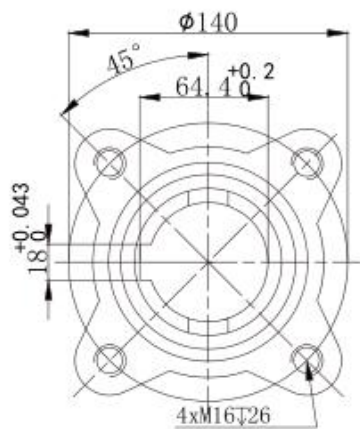
Flange F10
Form B3 connection

Actuator Mechanical Output

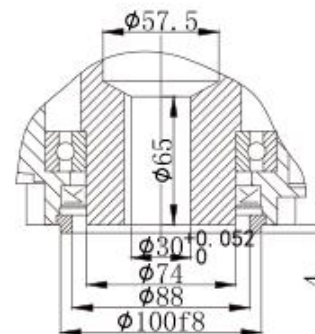
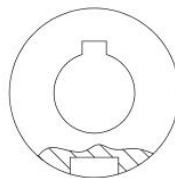
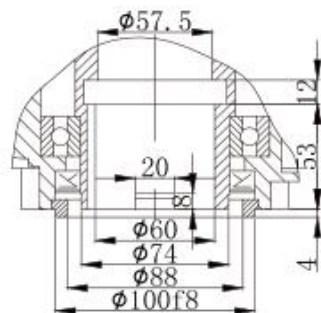
ISO5210 F14 output actuator

MOE725/750

MME825/850



+ =

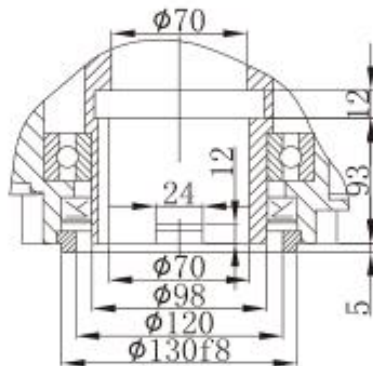
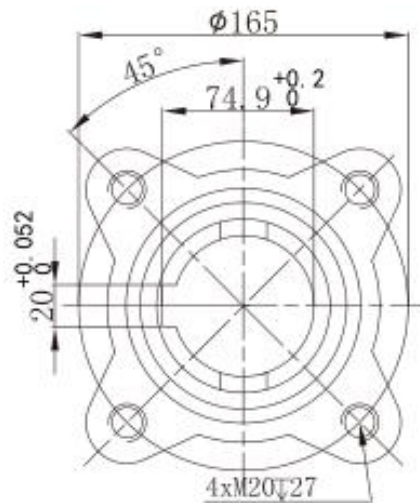


Flange F14
Form B1 connection

Flange F14
Form B3 connection

Actuator Mechanical Output

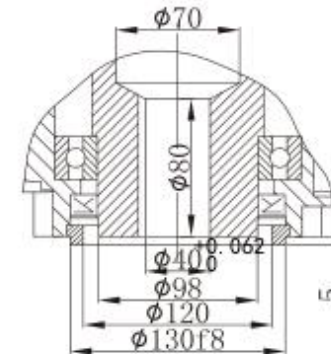
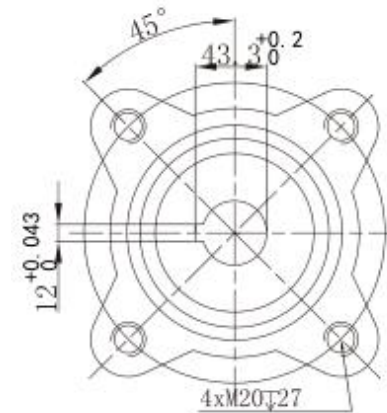
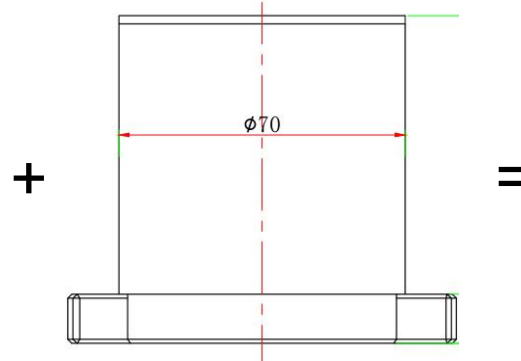
ISO5210 F16 output actuator



Flange F16
Form B1 connection

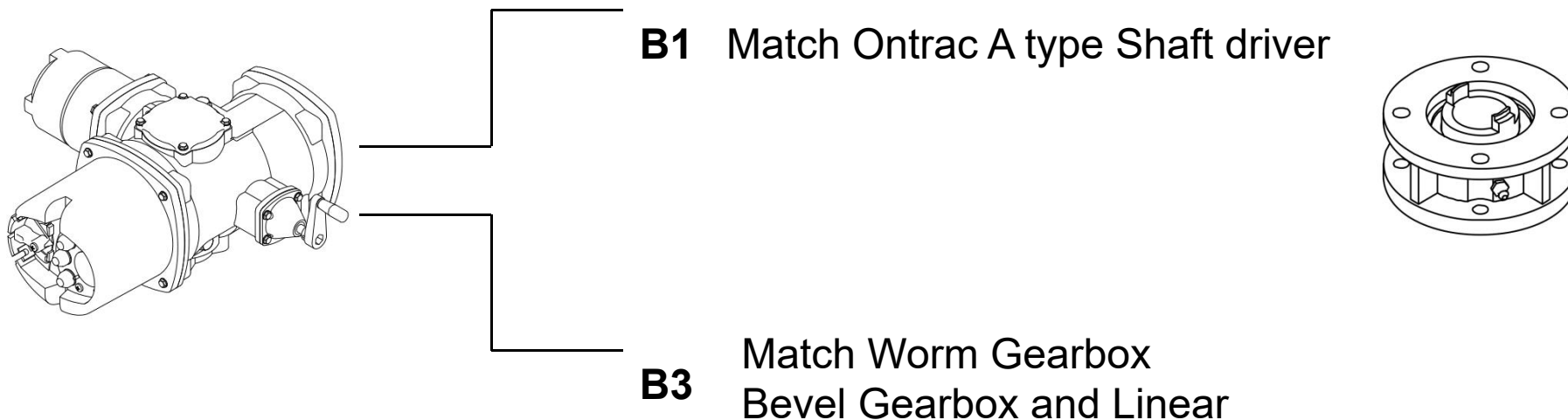
MOE790

MME890



Flange F16
Form B3 connection

Actuator Mechanical Output



Note: Gearbox or Linear must have the same flange size shaft & key and coupling type with actuator

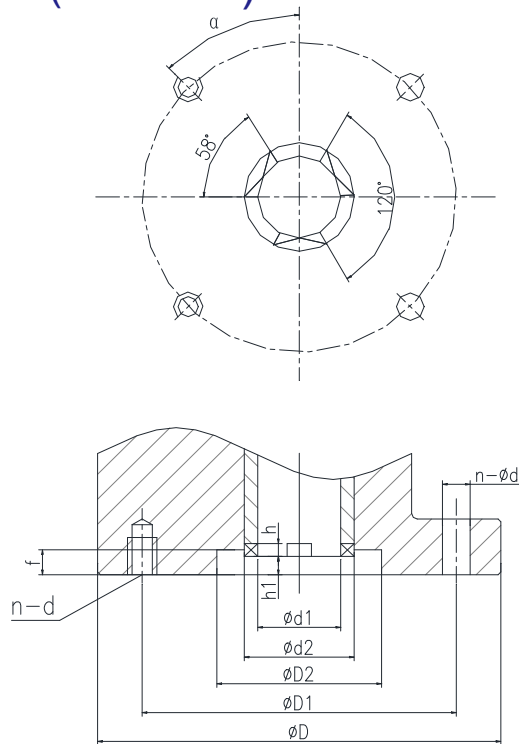
Gearbox Mounting Flange Type

Following standards:

ISO5210 (Multi-turn)

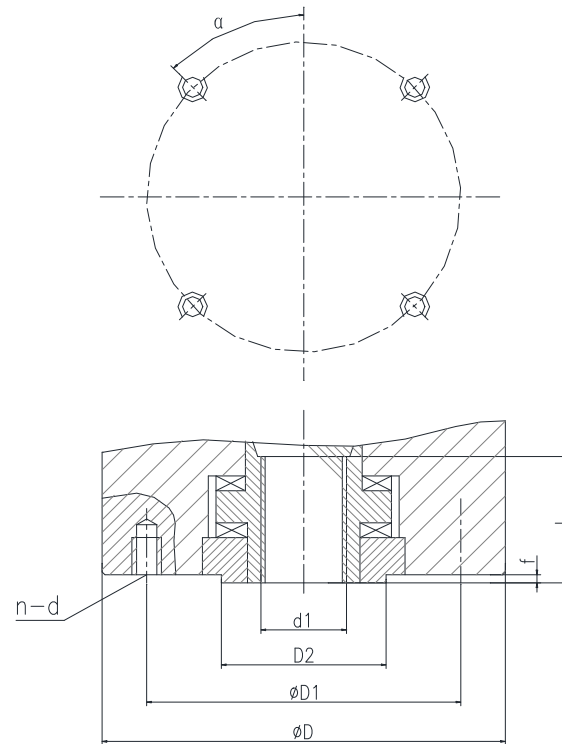
ISO5211 (Part-turn)

JB2920 (Multi-turn)



JB2920 (Non-thrust)

® Three jaws



ISO5210 (thrust)

Gearbox Mounting Flange standard

Non-Thrust JB2920												Thrust GB12222/ISO5210									
Flange size	D	D1	D2(H9)	h1	f	h	d1	d2	d	n	α	Flange size	D	D1	D2(F8)	f	d1 max	d	L	n	α
2	145	120	90	2	4	8	30	45	M10	4	45°	F10	125	102	70	3	T28	M10	40	4	45°
2I	115	95	75			6	26	39	M8			F14	175	140	100	4	T36	M16	55		
3	185	160	125			10	42	58	M12			F16	210	165	130	5	T44	M20	70		
3I	145	120	90			8	30	45	M10			F25	300	254	200		T60	M16	90		
4	225	195	150		12	50	72	φ 18	F30			350	298	230	T70	M20	110	8	22.5°		
5	275	235	180		5	14	62	82	φ 22			F35	415	356	260	T80	M30			150	
5I	230	195	150			12	50	72	φ 18												
7	330	285	220		3	6	16	72	98			φ 26									
8	380	340	280	3	6	20	83	118	φ 22	8	22.5°										